

Single Handle Kitchen Faucet

Product Spec Sheet



FEATURES & BENEFITS

GLL-135C
Chrome Finish

- This Product Contains Less Than 0.25% Weighted Average Lead Content On Wetted Surfaces
- Metal Lever Handle
- Washerless Cartridge
- Side Spray On Deckplate
- Max Flow Rate 1.5 GPM (5.7L/Min) At 60 PSI (ASME A112.18.1/A112.18.1)

Approvals:

Meets or Exceeds The Following:

- * ANSI/ASME A112.18.1/A112.18.1
- * NSF/ANSI 61 - Sec. 9
- * NSF/ANSI 372
- * IAPMO/cUPC
- * CA AB1953
- * ADA Compliant
- * NSF/ANSI/CAN 61: $Q \leq 1$



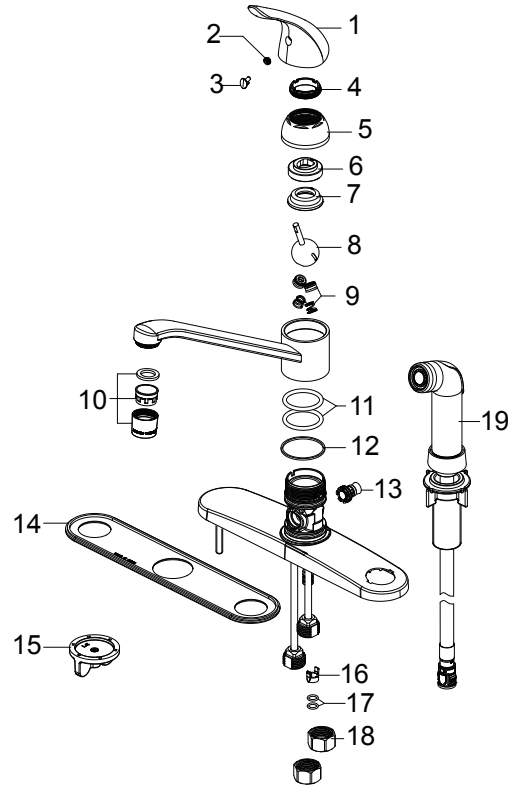
TEL: 888-649-0605

FAX: 877-892-1950

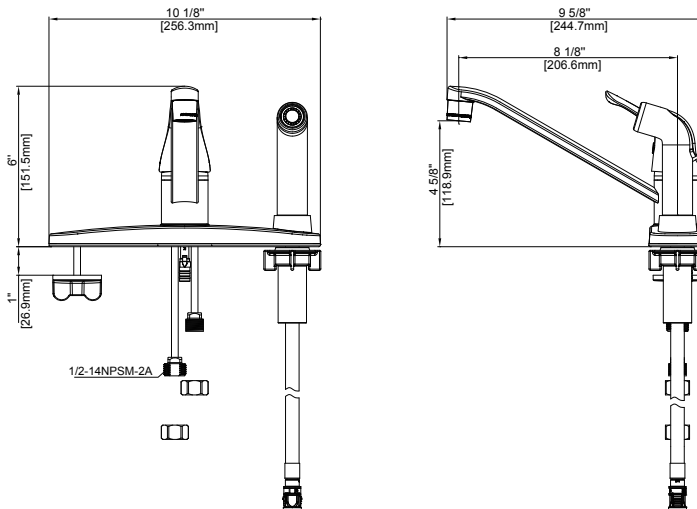
Visit Our Web Site : www.gemlinefaucets.com

Single Handle Kitchen Faucet

No.	Name	Part No.
1	Handle / Llave	RP13764*
2	Set screw / Tornillo de fijación	RP50226
3	Index / Índice	RP10048
4	Bonnet / Bonete	RP70371
5	Cap / Tapa	RP80756*
6	Cam / Leva	RP70107
7	Cam washer / Arandela de leva	RP70108
8	Mixer ball / Bola de la mezcladora	RP22007
9	Seat & Spring / Base y resorte	RP22008
10	Aerator / Aireador	RP30067*
11	O-ring / A rotórico	RP60138
12	Washer / Arandela	RP70832
13	Diverter / Desviador	RP70037
14	Gasket / Junta	RP70330
15	Mounting nut / Tuerca de montaje	RP56019
16	Block / Bloque	RP70421
17	O-ring / Aro tórico	RP60002
18	Coupling nut / Tuerca de acoplamiento	RP56002
19	Side spray / Rociador lateral	RP36116*



* Specify Finish
* Especifique el Acabado



Product Spec Sheet